

Mini-Ace™ Laboratory Circle Feeder



TECHNICAL BULLETIN

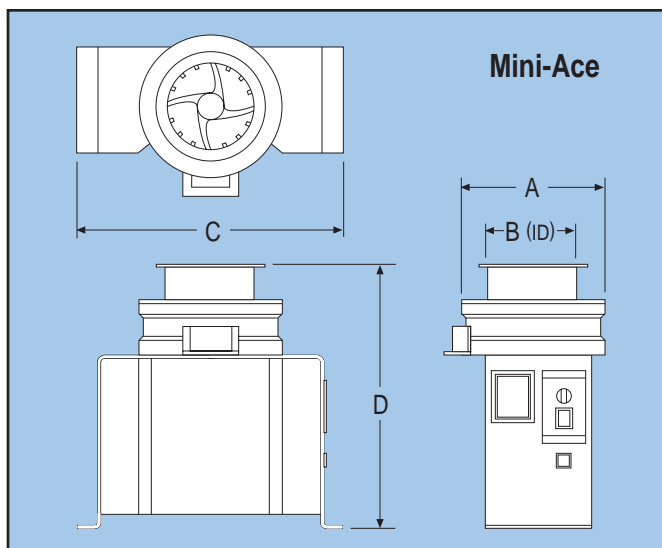
TB-GR-121

The Mini-Ace is a benchtop device that can feed very small quantities of even difficult to feed powder materials. It can be used for R&D and/or for evaluating the effectiveness of the unique Circle Feeder™ for larger scale production. It offers:

- Extremely compact, simple construction
- Slow rotation for gentle handling
- High precision uniform-rate feeding (about $\pm 1\%$)
- Easily changeable feeding rate with compact, speed-adjustable motor
- Simple, quick assembly and disassembly

Circle Feeder Operation

As a central vane slowly rotates, material is radially moved under a fixed ring and conveyed to the discharge port. This allows the level of material in the hopper to drop evenly, creating mass flow conditions in the hopper. The Circle Feeder's large inlet diameter exceeds most material's critical arching diameter. The feeder's simple design and slow rotation speed assure quiet operation and low maintenance.



Model	MA-120	MA-180	MA-260	
Feeding Capacity ml/min	40–400	70–700	100–1000	
Rotation Speed	0.9–9 rpm			
Motor Capacity	40 w, Variable Speed			
Power	110v, 60 Hz			
Contact Materials	SUS 304			
Dimensions mm	A	196	264	350
	B	120	180	260
	C	360	420	470
	D	365	365	365
Weight	kg	16	20	30
	lb	35	44	66

LCI Corporation is the exclusive distributor for Yoshikawa Corporation in the Americas.