

Pelleting Press 14 - 175



Pelleting press for small-scale productions

The flat die pelleting presses are suitable for compacting powdery and lumpy products.



Machine design:
Jens Plewa vom Berg,
Hamburg

The pelleting press can be used for

- Testing the pelleting qualities of a diverse range of products,
- Production of test material in research laboratories,
- Tests to obtain optimal formulations for achieving economic pelleting,
- Pelleting of high quality materials in smaller quantities.

The laboratory press operates on the flat die principle which has a proven value with difficult materials.

The pelleting tools can be easily interchanged without the need for special equipment. The pelleting process can be observed whilst the press is operating.

Small quantities are manually fed by way of a feed hopper. For continuous operation a proportioning feed unit is fitted to the press.

Hydraulic system for pan grinder head

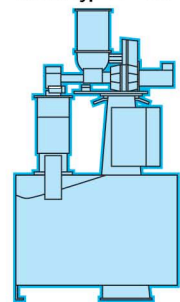
It is possible to have a hydraulic system for the pan grinder head instead of the main nut. This makes it possible to adjust the distance between pan grinder rollers and die during operation. The product layer between die and rollers is thus varied to suit product properties.

If the press is only half empty the load is released by removing the hydraulic pressure, and the machine can be restarted without having to empty the die space.



The pellet diameter can be selected.

Press Typ 14 - 175



The range of KAHL pelleting presses comprises 12 sizes which cover laboratory requirements through to high capacity production.



Pelleting Press 14 -175

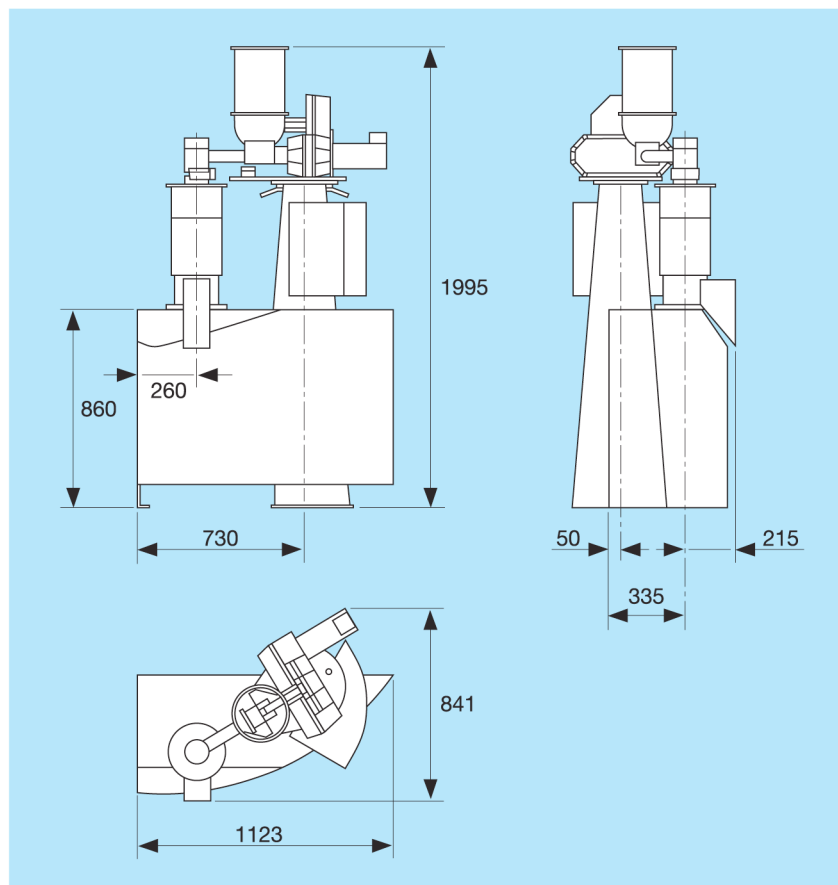
Technical data

Drive is effected by means of a continuously adjustable geared motor with frequency converter.

All bearings are provided with maintenance-free seals and permanent lubrication.

The press, drive, and control equipment are supplied in one integral unit so that the only installation requirement is an electrical power feed.

Die diameter	175 mm
Pan grinder roller width	29 mm
Drive motor power	3 kW
Weight	260 kg



Represented in USA by:
LCI Corporation
PO Box 16348, Charlotte NC 28297 USA
704 394 8341 • Fax 740 392 8507
email info@lccorp.com



AMANDUS KAHL GmbH & Co

Dieselstrasse 5-9

D-21465 Reinbek

Phone +49 (0) 40 - 7 27 71 - 0

Telefax +40 (0) 40 - 7 27 71 - 100

e-mail: info@amandus-kahl-group.de,

www.amandus-kahl-group.de